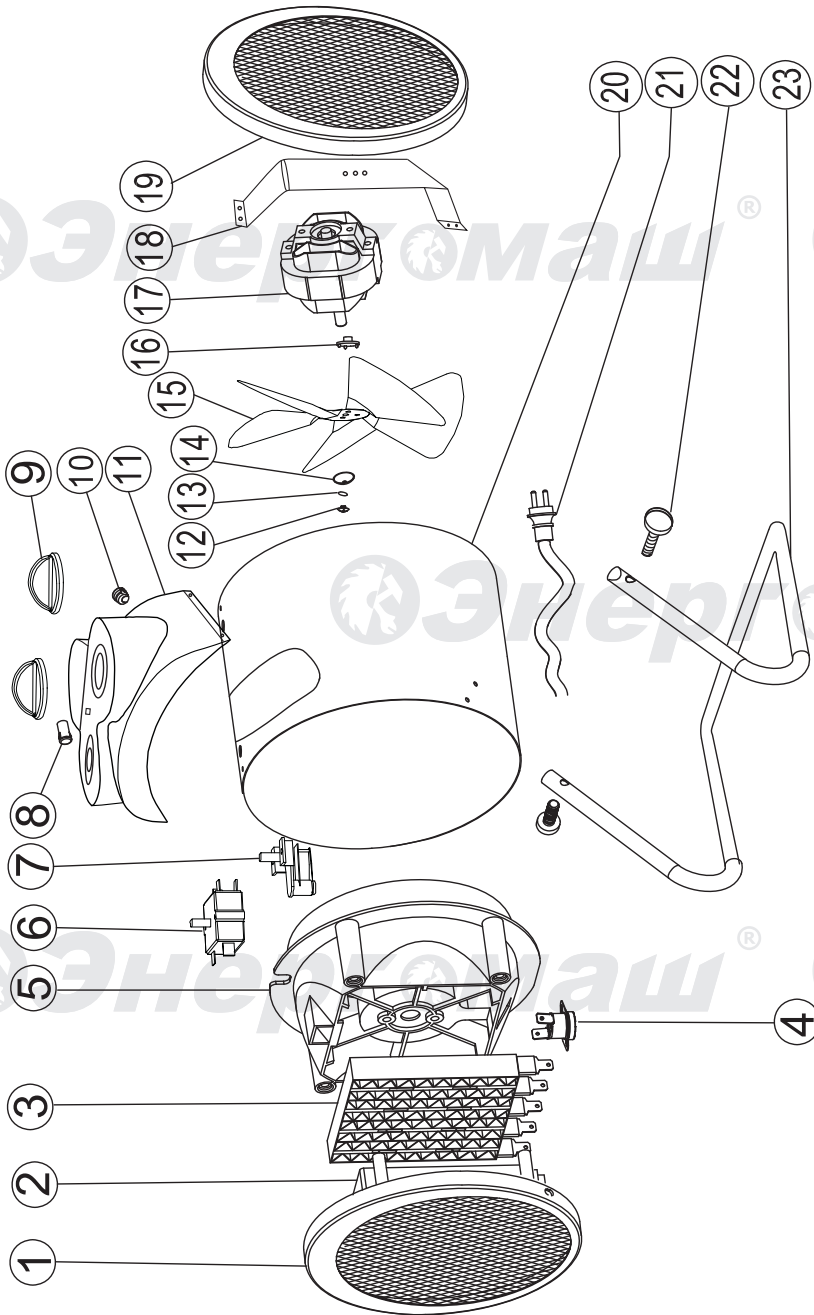


ТП-3000К



NO.	DESCRIPTION
1	FRONT GRILL
2	FRONT PTC BRACKET
3	PTC
4	THERMAL CUT-OUT
5	BACK PTC BRACKET
6	SWITCH
7	THERMOSTAT
8	POWER INDICATOR
9	KNOB
10	LOCK
11	CONTROL BOX
12	SCREWS
13	GASKET
14	THE BLADES CLAMP
15	FAN BLADE
16	FAN BASE
17	MOTOR
18	MOTOR SUPPORT
19	BACK GRILL
20	OUTER CASING
21	CABLE&PLUG
22	SCREW
23	BOTTOM FRAME

RU-EN20180412
VER:2.1